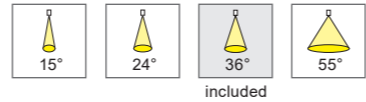
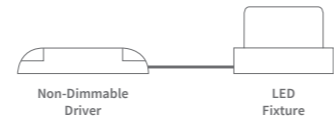


Lynx Medium II

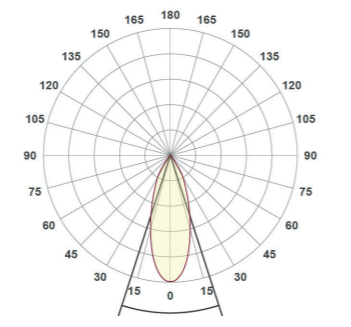
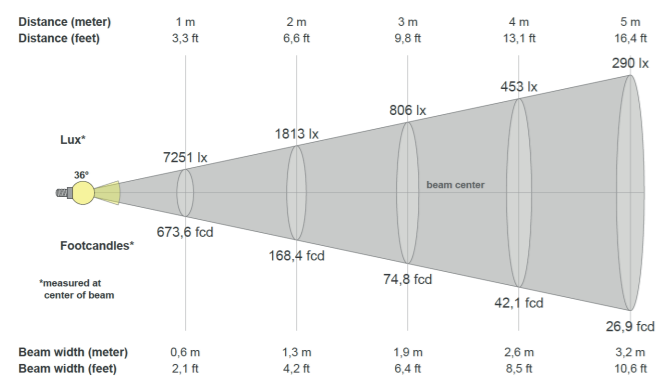
Round Turn/Tilttable



System Power	19.5W		28W	
CRI	>90Ra			
CCT	3000K	4000K PW	3000K	4000K PW
System Lumen	2286lm	2327lm	3127lm	3182lm
System Efficacy	117lm/W	119lm/W	112lm/W	114lm/W
LOR	Up to 80%			
Driver	Non-Dimmable Driver (included)			
SDCM	2			
L+B values (50.000 hr)	L90B10 (50.000h)			

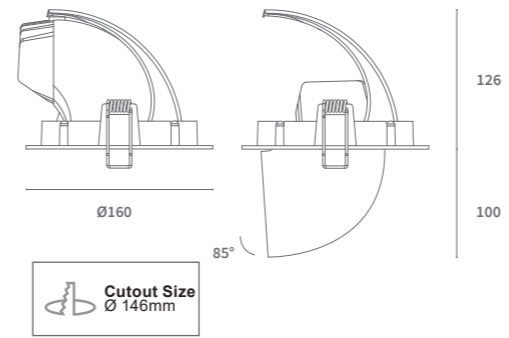


*More options available! Contact us to customize your fixture down to the finest details.



Article No.	Product Name	Color	CCT	CRI	System Lumen	System Power	System Efficacy	Reflector	Cutout size
2.11.5089	Lynx Medium II	White	3000K	>90Ra	2286lm	19.5W	117m/W	36°	Ø 146mm
2.11.5569	Lynx Medium II	White	4000K PW	>90Ra	2327lm	19.5W	119lm/W	36°	Ø 146mm
2.11.5101	Lynx Medium II	Black	3000K	>90Ra	3127m	28W	112lm/W	36°	Ø 146mm
2.11.5581	Lynx Medium II	Black	4000K PW	>90Ra	3182m	28W	114lm/W	36°	Ø 146mm

Also available: CRI >80Ra
This is a small selection from our portfolio. Please contact us for a suitable solution for your lighting project.



Article No.	Description
5.14.0291	Reflector 15° for Lynx Medium II
5.14.0292	Reflector 24° for Lynx Medium II
5.14.0294	Reflector 55° for Lynx Medium II

Article No.	Description
-----	Dimmable driver